

## MACHINE DIMENSIONS Model C-430A

### Machine Dimensions

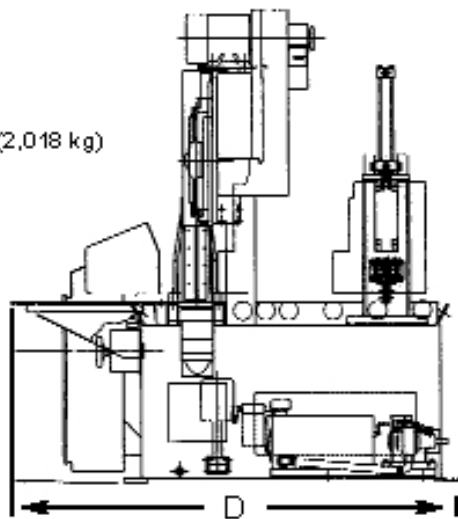
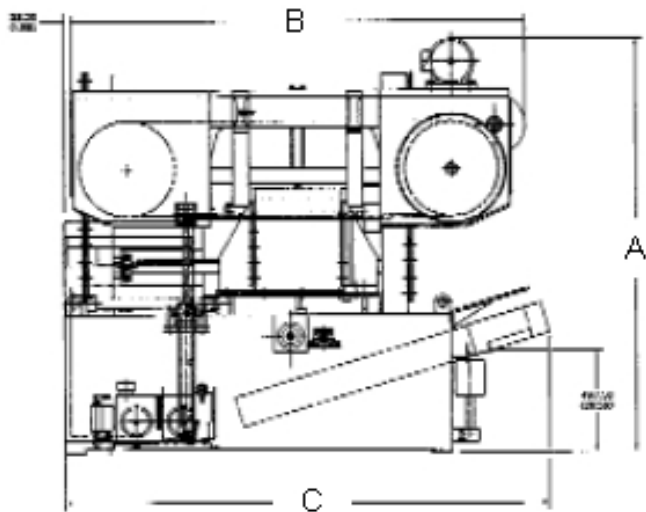
A 80 in. (2,000 mm)

B 88 in. (2,200 mm)

C 94 in. (2,400 mm)

D 77 in. (1,950 mm)

Net Weight: 4,450 lbs. (2,018 kg)



**FRONT TO BACK DIMENSION - 78 IN. (1,980 MM)**